

PVC Boards26

PVC Corner Boards
& Bead Board28

PVC Sheets28

PVC Trim Profiles29

PVC Trellis Systems33

PVC Trim
BY FYPON
PROFILES, BOARDS & SHEETS

Endurance with Style

PVC Trim

With Fypon® PVC Trim, the possibilities are endless. Fypon PVC Trim can replace wood in nearly any non-load bearing application. Each piece of stable, high-density PVC resists rotting, decaying, warping and splintering, as well as mildew growth and insects. Our boards, sheets, bead board, corners and profiles are easy to install and do not require paint. In addition, Fypon PVC Trim products can be used on both the interior and exterior of residential and commercial projects. * **For installation instructions, please visit www.fypon.com.**

* Always consult the local building code authority to determine suitability of products to meet specific project requirements.

How to Use This Section

For ease of use, the product groupings in this section of the catalog are organized by size, from smallest to largest, where applicable. Each product chart includes product images, dimensional data and part numbers to help specify, source and sell Fypon® PVC Trim.

Remember to Order Adhesive
A cellular PVC adhesive must be used on all joint surfaces.

How to Order

PVC Trim Profiles, Boards & Sheets

Fypon offers PVC Trim profiles, boards and sheets in bulk quantities. These products may be ordered in full-skid quantities only with a minimum order of a full truckload.* For help with finding the nearest stocking PVC distributor, contact Fypon Customer Service at 800.446.3040.

PVC Trellis Systems

Constructed of low-maintenance PVC, Fypon trellis systems make it easy to add architectural distinction to any home. Two sizes are available to fit over either a single or double standard garage door. The low-maintenance PVC may remain white or can be painted to complement the overall style of the home.** PVC trellis systems are not part of our bulk PVC program and can be ordered and shipped individually.

Special Order Products

Some products shown in this catalog include special order options. This means the product is available in additional sizes or with additional accessories. Throughout this section, special order part numbers are marked with an asterisk (*).



* 35,000 lb. material weight. PVC Trim profiles, boards and sheets can be combined in one order to meet the truckload requirement.

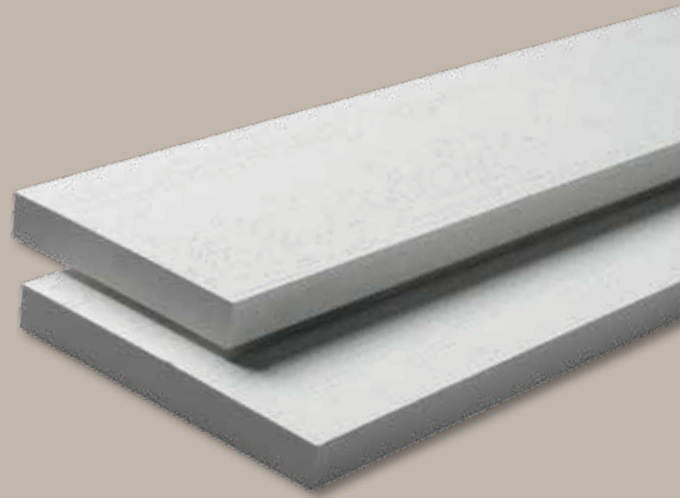
** If painting is desired, a 100% acrylic latex paint with a Light Reflectance Value (LRV) of 55% or higher must be used. Applying paint with a LRV of 54% or lower will void the warranty. L is a measure of the lightness of an object, and ranges from 0 (black) to 100 (white). Do not paint using dark colors (any color that falls within the LRV values below 55%). Please check with the paint manufacturer for LRV values.

*** Devcon is a registered trademark of Illinois Tool Works, Inc.

PVC Boards

Smooth or Woodgrain

Choosing reliable trim boards with superior workability can make all the difference when renovating or constructing a home. That's why **Fypon** delivers two different options for high-density, cellular PVC boards to help facilitate the construction process: non-sealed (standard) or sealed boards. Although both designs are very similar, sealed PVC boards have their own set of advantages. Simple to clean, sealed edge boards are ideal for finished applications, such as window or door trim. The specially crafted edges are sealed to help keep dirt, dust, and debris out, resulting in a smoother, flawless appearance. Truly an innovative design, sealed edges provide premium protection against the elements, providing homeowners with a product they can always depend on.



Length	Dimensional Lumber Size	Actual Size	Standard Smooth/Smooth Part Number	Standard Smooth/Woodgrain Part Number [^]	Sealed Edge Smooth/Smooth Part Number	Sealed Edge Smooth/Woodgrain Part Number [^]	Pieces Per Skid	Lineal Feet Per Skid	Skid Weight (Product Only)
12'	3/4 x 4 x 12	5/8" x 3 1/2" x 12'	85168 *	87168 *	95168 *	97168*	260	3120'	1754 lbs.
	3/4 x 6 x 12	5/8" x 5 1/2" x 12'	85169 *	87169 *	95169 *	97169*	160	1920'	1696 lbs.
	3/4 x 8 x 12	5/8" x 7 1/4" x 12'	85170 *	87170 *	95170 *	97170*	120	1440'	1677 lbs.
	3/4 x 10 x 12	5/8" x 9 1/4" x 12'	85189 *	87189 *	95189 *	97189*	100	1200'	1783 lbs.
	3/4 x 12 x 12	5/8" x 11 1/4" x 12'	85171 *	87171 *	95171 *	97171*	80	960'	1734 lbs.
	3/4 x 16 x 12	5/8" x 15 1/4" x 12'	85210 *	87210 *	95210 *	97210*	60	720'	1763 lbs.
	4/4 x 4 x 12	3/4" x 3 1/2" x 12'	85146 *	87146 *	95146 *	97146*	221	2652'	1789 lbs.
	4/4 x 6 x 12	3/4" x 5 1/2" x 12'	85147 *	87147 *	95147 *	97147*	136	1632'	1730 lbs.
	4/4 x 8 x 12	3/4" x 7 1/4" x 12'	85148 *	87148 *	95148 *	97148*	102	1224'	1710 lbs.
	4/4 x 10 x 12	3/4" x 9 1/4" x 12'	85149 *	87149 *	95149 *	97149*	85	1020'	1818 lbs.
	4/4 x 12 x 12	3/4" x 11 1/4" x 12'	85150 *	87150 *	95150 *	97150*	68	816'	1769 lbs.
	4/4 x 16 x 12	3/4" x 15 1/4" x 12'	85402 *	87402 *	95402 *	97402*	51	612'	1799 lbs.
	5/4 x 4 x 12	1" x 3 1/2" x 12'	85156 *	87156 *	95156 *	97156*	156	1872'	1684 lbs.
	5/4 x 6 x 12	1" x 5 1/2" x 12'	85157 *	87157 *	95157 *	97157*	96	1152'	1628 lbs.
	5/4 x 8 x 12	1" x 7 1/4" x 12'	85158 *	87158 *	95158 *	97158*	72	864'	1610 lbs.
	5/4 x 10 x 12	1" x 9 1/4" x 12'	85187 *	87187 *	95187 *	97187*	60	720'	1711 lbs.
	5/4 x 12 x 12	1" x 11 1/4" x 12'	85208 *	87208 *	95208 *	97208*	48	576'	1665 lbs.
	5/4 x 16 x 12	1" x 15 1/4" x 12'	85403 *	87403 *	95403 *	97403*	36	432'	1693 lbs.
18'	3/4 x 4 x 18	5/8" x 3 1/2" x 18'	85001	87001	95001	97001	260	4680'	2631 lbs.
	3/4 x 4 x 18	5/8" x 3 1/2" x 18'	85001-H*	87001-H*	95001-H*	97001-H*	130	2340'	1315 lbs.
	3/4 x 6 x 18	5/8" x 5 1/2" x 18'	85002	87002	95002	97002	160	2880'	2544 lbs.
	3/4 x 6 x 18	5/8" x 5 1/2" x 18'	85002-H*	87002-H*	95002-H*	97002-H*	80	1440'	1272 lbs.
	3/4 x 8 x 18	5/8" x 7 1/4" x 18'	85003	87003	95003	97003	120	2160'	2515 lbs.
	3/4 x 8 x 18	5/8" x 7 1/4" x 18'	85003-H*	87003-H*	95003-H*	97003-H*	60	1080'	1257 lbs.
	3/4 x 10 x 18	5/8" x 9 1/4" x 18'	85004	87004	95004	97004	100	1800'	2674 lbs.
	3/4 x 10 x 18	5/8" x 9 1/4" x 18'	85004-H*	87004-H*	95004-H*	97004-H*	50	900'	1337 lbs.
	3/4 x 12 x 18	5/8" x 11 1/4" x 18'	85005	87005	95005	97005	80	1440'	2602 lbs.
	3/4 x 12 x 18	5/8" x 11 1/4" x 18'	85005-H*	87005-H*	95005-H*	97005-H*	40	720'	1301 lbs.
	3/4 x 16 x 18	5/8" x 15 1/4" x 18'	85078	87078	95078	97078	60	1080'	2645 lbs.
	3/4 x 16 x 18	5/8" x 15 1/4" x 18'	85078-H*	87078-H*	95078-H*	97078-H*	30	540'	1322 lbs.

[^] Woodgrain on one side, smooth on one side
 * Part numbers marked with an asterisk (*) are special order

NOTE: Part numbers marked with (-H) are half skid quantities; broken pallet charge applies.

PVC Boards

Smooth or Woodgrain continued

Length	Dimensional Lumber Size	Actual Size	Standard Smooth/ Smooth Part Number	Standard Smooth/ Woodgrain Part Number [^]	Sealed Edge Smooth/ Smooth Part Number	Sealed Edge Smooth/ Woodgrain Part Number [^]	Pieces Per Skid	Lineal Feet Per Skid	Skid Weight (Product Only)
18'	3/4 x 4 x 18	3/4" x 3 1/2" x 18'	85006	87006	95006	97006	221	3978'	2683 lbs.
	3/4 x 4 x 18	3/4" x 3 1/2" x 18'	85006-H*	87006-H*	95006-H*	97006-H*	104	1872'	1263 lbs.
	3/4 x 6 x 18	3/4" x 5 1/2" x 18'	85009	87009	95009	97009	136	2448'	2595 lbs.
	3/4 x 6 x 18	3/4" x 5 1/2" x 18'	85009-H*	87009-H*	95009-H*	97009-H*	64	1152'	1221 lbs.
	3/4 x 8 x 18	3/4" x 7 1/4" x 18'	85010	87010	95010	97010	102	1836'	2565 lbs.
	3/4 x 8 x 18	3/4" x 7 1/4" x 18'	85010-H*	87010-H*	95010-H*	97010-H*	48	864'	1207 lbs.
	3/4 x 10 x 18	3/4" x 9 1/4" x 18'	85011	87011	95011	97011	85	1530'	2727 lbs.
	3/4 x 10 x 18	3/4" x 9 1/4" x 18'	85011-H*	87011-H*	95011-H*	97011-H*	40	720'	1283 lbs.
	3/4 x 12 x 18	3/4" x 11 1/4" x 18'	85012	87012	95012	97012	68	1224'	2654 lbs.
	3/4 x 12 x 18	3/4" x 11 1/4" x 18'	85012-H*	87012-H*	95012-H*	97012-H*	32	576'	1249 lbs.
	3/4 x 16 x 18	3/4" x 15 1/4" x 18'	85377	87377	95377	97377	51	918'	2698 lbs.
	3/4 x 16 x 18	3/4" x 15 1/4" x 18'	85377-H*	87377-H*	95377-H*	97377-H*	24	432'	1270 lbs.
	5/4 x 4 x 18	1" x 3 1/2" x 18'	85013	87013	95013	97013	156	2808'	2525 lbs.
	5/4 x 4 x 18	1" x 3 1/2" x 18'	85013-H*	87013-H*	95013-H*	97013-H*	78	1404'	1263 lbs.
	5/4 x 6 x 18	1" x 5 1/2" x 18'	85015	87015	95015	97015	96	1728'	2442 lbs.
	5/4 x 6 x 18	1" x 5 1/2" x 18'	85015-H*	87015-H*	95015-H*	97015-H*	48	864'	1221 lbs.
	5/4 x 8 x 18	1" x 7 1/4" x 18'	85016	87016	95016	97016	72	1296'	2414 lbs.
	5/4 x 8 x 18	1" x 7 1/4" x 18'	85016-H*	87016-H*	95016-H*	97016-H*	36	648'	1207 lbs.
	5/4 x 10 x 18	1" x 9 1/4" x 18'	85017	87017	95017	97017	60	1080'	2567 lbs.
	5/4 x 10 x 18	1" x 9 1/4" x 18'	85017-H*	87017-H*	95017-H*	97017-H*	30	540'	1283 lbs.
5/4 x 12 x 18	1" x 11 1/4" x 18'	85018	87018	95018	97018	48	864'	2498 lbs.	
5/4 x 12 x 18	1" x 11 1/4" x 18'	85018-H*	87018-H*	95018-H*	97018-H*	24	432'	1249 lbs.	
5/4 x 16 x 18	1" x 15 1/4" x 18'	85404	87404	95404	97404	36	648'	2539 lbs.	
5/4 x 16 x 18	1" x 15 1/4" x 18'	85404-H*	87404-H*	95404-H*	97404-H*	18	324'	1270 lbs.	
20'	5/4 x 4 x 20	1" x 3 1/2" x 20'	85072	87072	95072	97072	156	3120'	2806 lbs.
	5/4 x 4 x 20	1" x 3 1/2" x 20'	85072-H*	87072-H*	95072-H*	97072-H*	78	1560'	1403 lbs.
	5/4 x 6 x 20	1" x 5 1/2" x 20'	85074	87074	95074	97074	96	1920'	2713 lbs.
	5/4 x 6 x 20	1" x 5 1/2" x 20'	85074-H*	87074-H*	95074-H*	97074-H*	48	960'	1357 lbs.
	5/4 x 8 x 20	1" x 7 1/4" x 20'	85075	87075	95075	97075	72	1440'	2683 lbs.
	5/4 x 8 x 20	1" x 7 1/4" x 20'	85075-H*	87075-H*	95075-H*	97075-H*	36	720'	1341 lbs.
	5/4 x 10 x 20	1" x 9 1/4" x 20'	85076	87076	95076	97076	60	1200'	2852 lbs.
	5/4 x 10 x 20	1" x 9 1/4" x 20'	85076-H*	87076-H*	95076-H*	97076-H*	30	600'	1426 lbs.
	5/4 x 12 x 20	1" x 11 1/4" x 20'	85077	87077	95077	97077	48	960'	2775 lbs.
	5/4 x 12 x 20	1" x 11 1/4" x 20'	85077-H*	87077-H*	95077-H*	97077-H*	24	480'	1388 lbs.
	5/4 x 16 x 20	1" x 15 1/4" x 20'	85405	87405	95405	97405	36	720'	2821 lbs.
	5/4 x 16 x 20	1" x 15 1/4" x 20'	85405-H*	87405-H*	95405-H*	97405-H*	18	360'	1411 lbs.

[^] Woodgrain on one side, smooth on one side
 * Part numbers marked with an asterisk (*) are special order

NOTE: Part numbers marked with (-H) are half skid quantities; broken pallet charge applies.

PVC Boards & Bead Board

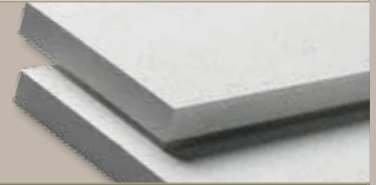
Smooth or Woodgrain



Product Description	Actual Size	Pieces Per Skid	Linear Feet Per Skid	Skid Weight (Product Only)	Smooth / Smooth Part Number	Woodgrain / Smooth Part Number [^]
Bead Board	1/2" x 5" x 18'	200	3,600'	2,240 lbs.	85063	—
4" Corner Board	1" x 3 1/2" x 10'	72	720'	1,116 lbs.	85064	87064*
4" Corner Board	1" x 3 1/2" x 20'	48	960'	1,488 lbs.	85117	87117*
6" Corner Board	1" x 5 1/2" x 10'	48	480'	1,234 lbs.	85065	87065*
6" Corner Board	1" x 5 1/2" x 20'	24	480'	1,234 lbs.	85118	87118*

PVC Sheets

Smooth or Woodgrain



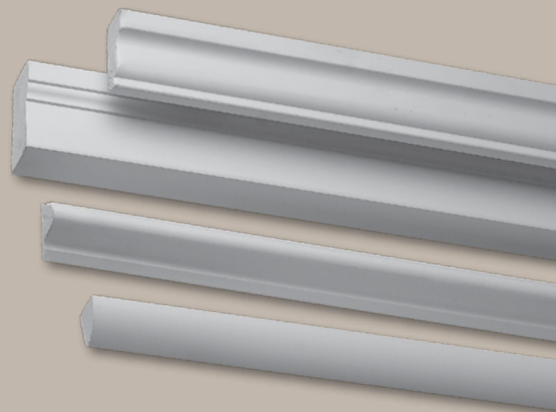
Length	Actual Thickness	Actual Size	Standard Smooth / Smooth Part Number	Standard Smooth / Woodgrain Part Number [^]	Pieces per Skid	Skid Weight
8'	3/8"	3/8" x 4' x 8'	85080	87080	30	1110 lbs.
	1/2"	1/2" x 4' x 8'	85037	87037	25	1233 lbs.
	5/8"	5/8" x 4' x 8'	85039	87039	25	1542 lbs.
	3/4"	3/4" x 4' x 8'	85042	87042	20	1480 lbs.
	1"	1" x 4' x 8'	85046	87046	20	1973 lbs.
10'	3/8"	3/8" x 4' x 10'	85081	87081	30	1388 lbs.
	1/2"	1/2" x 4' x 10'	85038	87038	25	1542 lbs.
	5/8"	5/8" x 4' x 10'	85040	87040	25	1927 lbs.
	3/4"	3/4" x 4' x 10'	85043	87043	20	1850 lbs.
	1"	1" x 4' x 10'	85047	87047	20	2467 lbs.
12'	3/8"	3/8" x 4' x 12'	85165	87165	30	1665 lbs.
	1/2"	1/2" x 4' x 12'	85229	87229	25	1850 lbs.
	5/8"	5/8" x 4' x 12'	85159	87159	25	2313 lbs.
	3/4"	3/4" x 4' x 12'	85044	87044	20	2220 lbs.
	1"	1" x 4' x 12'	85048	87048	20	2960 lbs.
18'	3/8"	3/8" x 4' x 18'	85138	87138	30	2498 lbs.
	1/2"	1/2" x 4' x 18'	85400	87400	25	2775 lbs.
	5/8"	5/8" x 4' x 18'	85041	87041	20	2775 lbs.
	3/4"	3/4" x 4' x 18'	85045	87045	18	2997 lbs.
	1"	1" x 4' x 18'	85401	87401	15	3330 lbs.

* Part numbers marked with an asterisk (*) are special order.

[^] Woodgrain on one side, smooth on one side

PVC Trim Profiles

When adding elegance to your home, our high-density, extruded PVC moulding profiles are the sophisticated solution for creating that extravagant, finishing touch. Whether you're looking for a stylish way to spruce up window trims or enhance the appeal of an existing porch or entryway, our PVC mouldings are contoured to create the perfect, precise look. From simplistic to intricate designs, Fypon PVC mouldings also add distinction to the interior of any home. With a vast array of mouldings available, you can mask imperfections or add appeal to the tightest, trickiest wall angles and corners of virtually any room. Easy to install and simple to maintain, our PVC mouldings resist cracking, warping, rotting and splitting, making them the ideal addition to any new construction or renovation project.



Part Number & Product Description	Actual Size (Projection x Height x Length)	Pieces Per Bundle	Linear Feet Per Bundle	Bundle Weight (Product Only)	Profile View
MLDS85400BP 3" Crown	2 1/8" x 1 3/4" x 16'	10	160'	53 lbs.	
MLDS85299BP 4" Crown	2 3/8" x 2 3/4" x 16'	4	64'	26 lbs.	
MLDS85300BP 5" Crown	3" x 3 1/2" x 16'	4	64'	27 lbs.	
MLDS85301BP 6" Crown	3 5/8" x 3 3/4" x 16'	4	64'	29 lbs.	
MLDS85296BP Base Cap	2 1/32" x 1 1/8" x 16'	15	240'	24 lbs.	

NOTE: Profile images are approximate representations. Do not scale.

PVC Trim Profiles continued on next page

PVC Trim Profiles

Continued

Part Number & Product Description	Actual Size (Projection x Height x Length)	Pieces Per Bundle	Linear Feet Per Bundle	Bundle Weight (Product Only)	Profile View
MLDS85297BP Bed Moulding	1 9/32" x 1 7/32" x 16'	10	160'	27 lbs.	
MLDS85298BP Brick Mould	1 1/4" x 2" x 17'	5	85'	39 lbs.	
MLDS85303BP Drip Cap	1 11/16" x 1 11/16" x 16'	5	80'	14 lbs.	
MLDS85310BP Historic Sill	1 3/4" x 2" x 16'	4	64'	50 lbs.	
MLDS85306BP Quarter-Round	3/4" x 3/4" x 16'	10	160'	18 lbs.	
MLDS85308BP Rake Moulding	1 1/16" x 2" x 16'	5	80'	33 lbs.	
MLDS85302BP Rams Crown	1 13/32" x 2 1/16" x 16'	5	80'	37 lbs.	

NOTE: Profile images are approximate representations. Do not scale.

PVC Trim Profiles

Continued

Part Number & Product Description	Actual Size (Projection x Height x Length)	Pieces Per Bundle	Linear Feet Per Bundle	Bundle Weight (Product Only)	Profile View
MLDS85309BP Scotia Cove	$\frac{3}{4}" \times \frac{3}{4}" \times 16'$	10	160'	17 lbs.	
MLDS85361BP Shingle	$1\frac{1}{16}" \times 1\frac{5}{8}" \times 16'$	5	80'	17.5 lbs.	
MLDS85401BP Garage Door Thermostop	$\frac{3}{4}" \times 3" \times 16'$	6	94'	14 lbs.	
MLDS85402BP 1 1/2" Square Profile	$1\frac{1}{2}" \times 1\frac{1}{2}" \times 16'$	4	64'	39 lbs.	
MLDS85403BP Back Band	$1\frac{3}{8}" \times 1\frac{3}{8}" \times 16'$	4	64'	22 lbs.	
MLDS85404BP Sub Sill Nose	$1\frac{1}{2}" \times 1\frac{1}{4}" \times 16'$	6	96'	37 lbs.	
MLDS85405BP Adams Casing	$1\frac{1}{16}" \times 3\frac{1}{2}" \times 16'$	6	96'	69 lbs.	

NOTE: Profile images are approximate representations. Do not scale.

PVC Trim Profiles continued on next page

PVC Trim Profiles

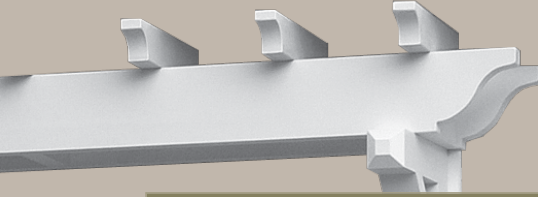
Continued

Part Number & Product Description	Actual Size (Projection x Height x Length)	Pieces Per Bundle	Linear Feet Per Bundle	Bundle Weight (Product Only)	Profile View
MLDS85406BP Band Moulding	1 1/16" x 1 1/2" x 16'	10	160'	50 lbs.	
MLDS85407BP Water Table	2" x 2 3/4" x 16'	4	64'	53 lbs.	

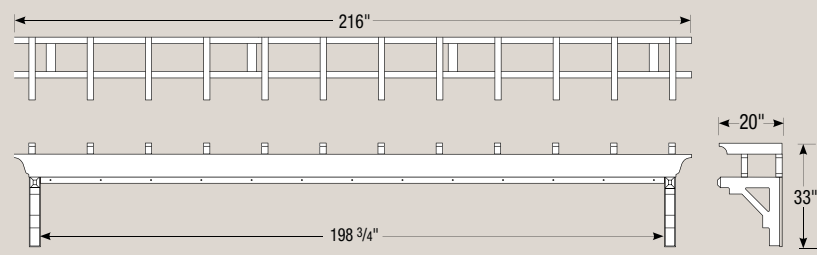
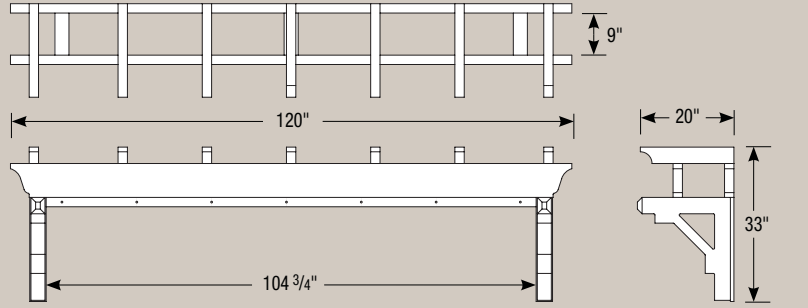
NOTE: Profile images are approximate representations. Do not scale.



PVC Trellis Systems



Part Number & Product Description	Inside Width	Overall Width	Overall Height	Projection
PVCTRELLISA104 Single Garage	104 3/4"	120"	33"	20 5/8"
PVCTRELLISA198 Double Garage	198 3/4"	216"	33"	20 5/8"



NOTE: Ships in multiple pieces.

