

1600 Series

1650 Extreme Vinyl Double-Hung Window

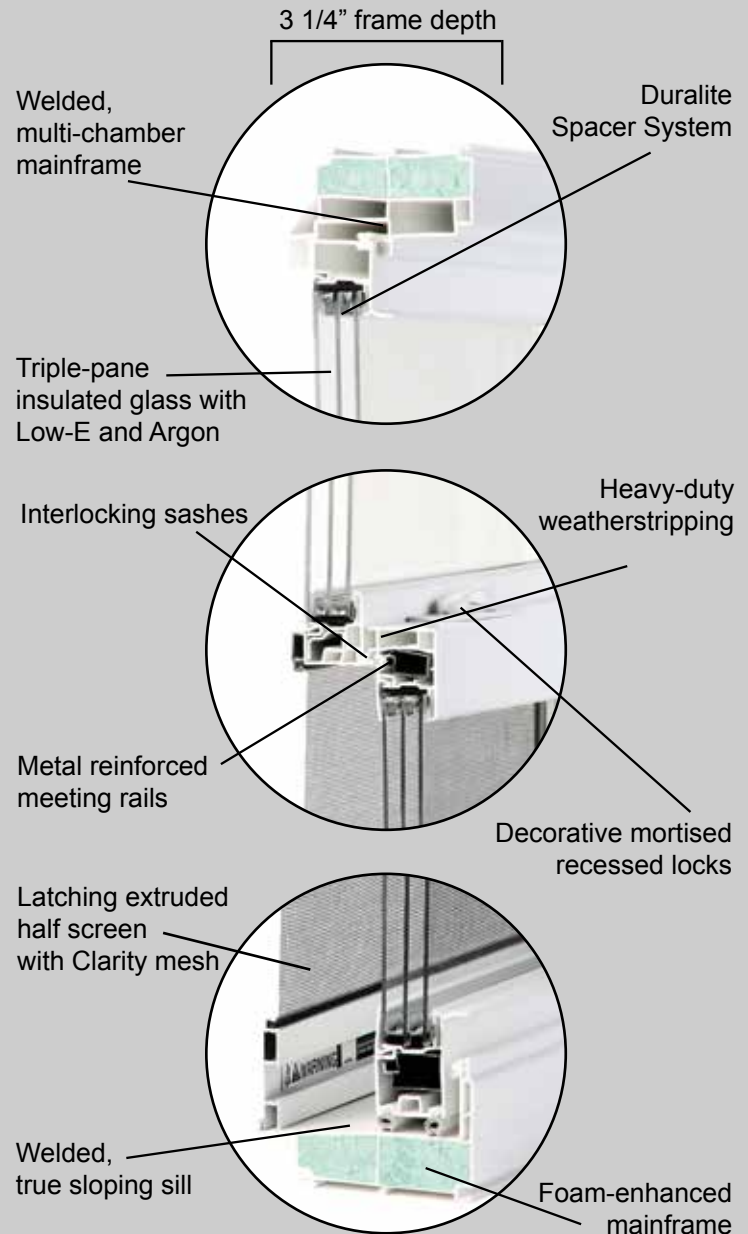


Energy Efficiency, Beauty, and Peace of Mind

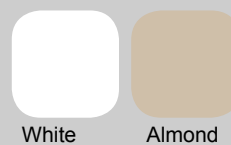
The 1650 Extreme Double-Hung Window offers the **TMAX Extreme™** package as a standard, making it one of the most energy efficient windows available. With a foam-enhanced mainframe and triple-pane glass, the window achieves a U-Value of .22.

The MI Windows and Doors 1600 Series is a complete line of windows and doors designed for energy efficiency, comfort, beauty and peace of mind. 1600 Series windows are available in double-hung, slider, casement, awning, picture window and architectural shapes configurations.

Take a closer look at the 1650 Extreme Double-Hung Window



Color Options



Optional Exterior Laminate



Optional Interior Woodgrains



Actual colors may vary.

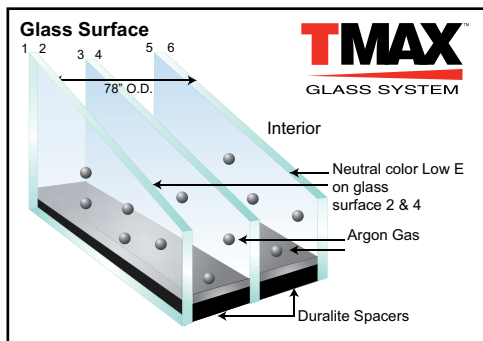
1600Series

1650 Extreme Vinyl Double-Hung Window



Glass Options

TMAX™ insulated glass packages are offered as an upgrade to help you save heating and cooling costs while keeping your home more comfortable. In warm weather, TMAX reduces solar heat gain, minimizing interior glare and lowers interior glass temperature, saving energy and making your home more comfortable. In cool weather, TMAX provides outstanding thermal performance with warmer interior glass surfaces to help save energy and maintain comfort during a cold winter.



Meets ENERGY STAR® requirements in all Zones.



Additional Features



Patented detent clip to prevent the top sash from drifting



Recessed tilt latches for convenient and easy operation

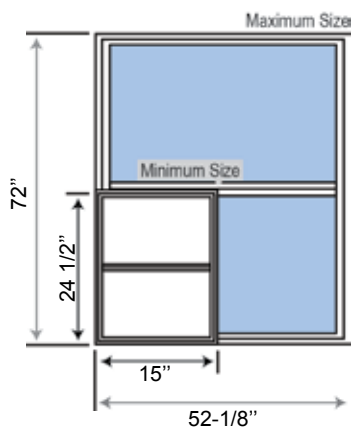


Spring loaded night latches for added safety, security, and ventilation



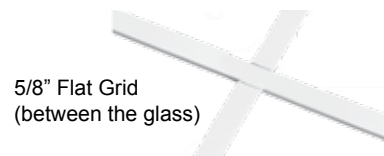
Patented constant force balance system

Min. and Max. Frame Sizes



Grid Options

Flat grids are available in standard and custom patterns.



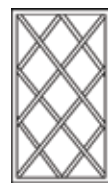
Colonial



9-Lite Perimeter



6-Lite Perimeter



Diamond

