

910 SERIES

910 Vinyl Patio Door

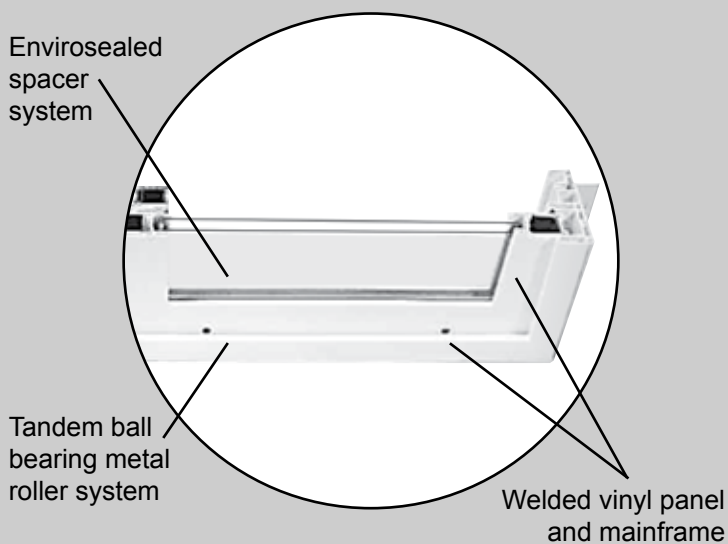
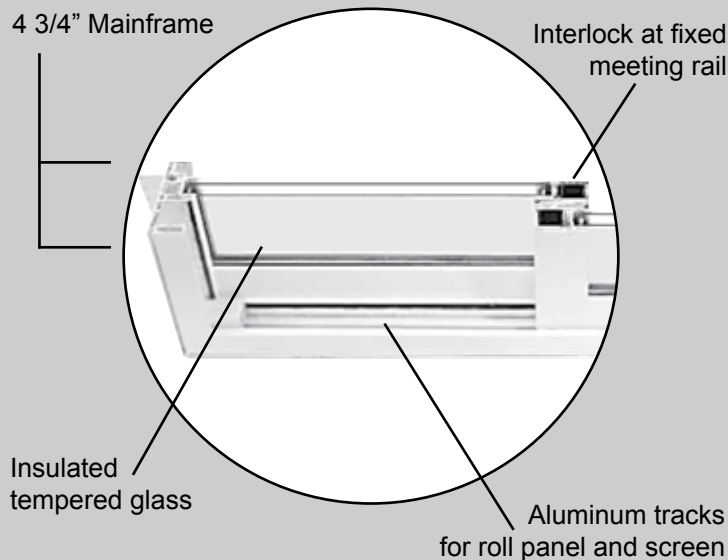


Quality, Value, and Peace of Mind.

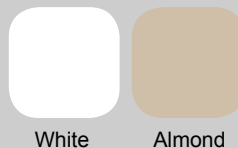
The 910 Vinyl Patio Door offers superior style and traditional craftsmanship with features like aluminum tracks and insulated tempered glass. This crafted style is made even stronger through advanced engineering details like a welded vinyl mainframe and panel design. With additional options like TMAX™ glass packages, interior wood grains, and heavy-duty screens, the 910 patio door is an ideal solution for any patio door need and offers quality, value, and peace of mind.

The MI Windows and Doors 910 Series Patio Door is available in two and three panel configurations.

Take a closer look at the 910 Patio Door



Color Options



White

Almond

Handle Finish Options



White

Almond



Bright Brass Interior

Bronze Interior

Actual colors may vary.

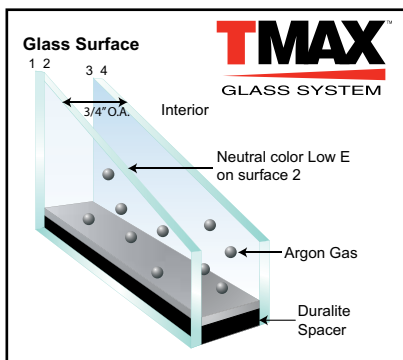
910 SERIES

910 Vinyl Patio Door



Glass Options

TMAX™ insulated glass packages are offered as an upgrade to help you save heating and cooling costs while keeping your home more comfortable. In warm weather, TMAX reduces solar heat gain, minimizing interior glare and lowers interior glass temperature, saving energy and making your home more comfortable. In cool weather, TMAX provides outstanding thermal performance with warmer interior glass surfaces to help save energy and maintain comfort during a cold winter.



Meets ENERGY STAR® requirements in North, North-Central, and South Central Zones.



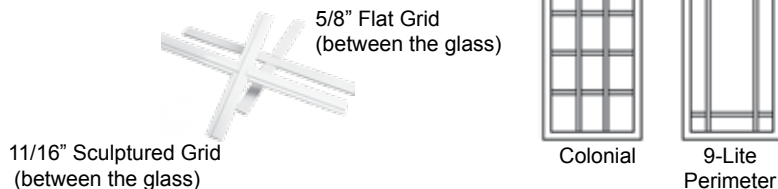
Optional Exterior Lock

2-panel and 3-panel doors come standard with a single point locking system. For added security and convenience, an exterior key lock is optional on the 910 patio door.

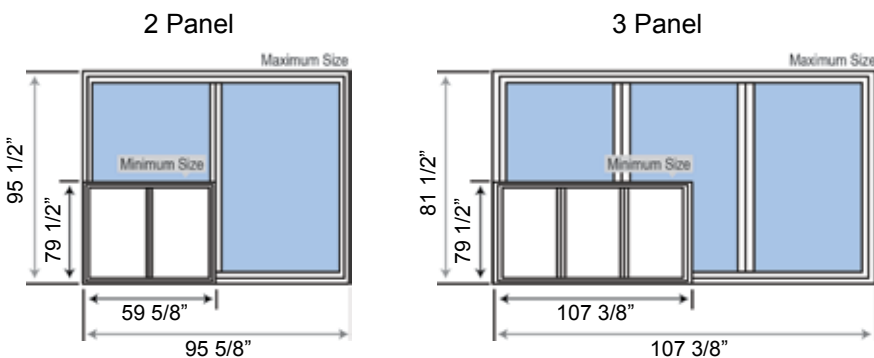


Grid Options

Flat and sculptured grids are available in standard and custom patterns.



Min. and Max. Frame Sizes



Panel Operation

