



NEW CONSTRUCTION ENTRY DOOR INSTALLATION INSTRUCTIONS

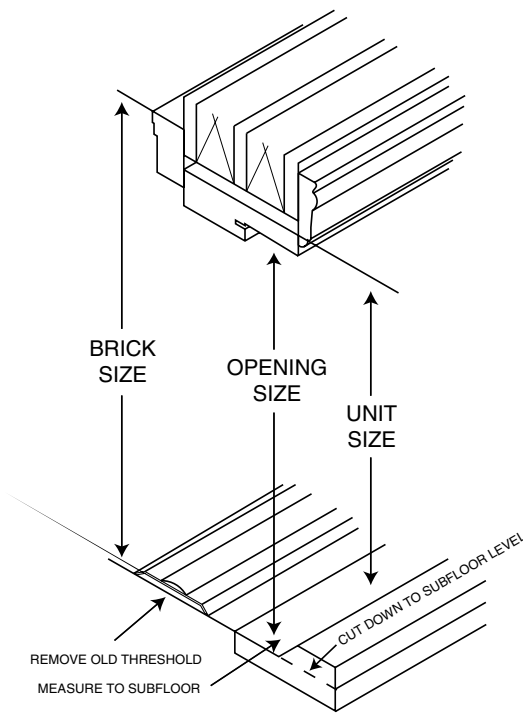
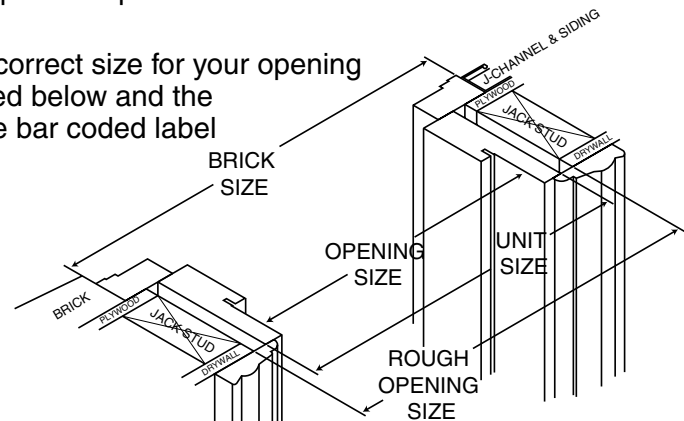
Tools & Materials You Will Need:		
• Measuring Tape	• Carpenter's Square	• (1) Box Wood Shims
• Pencil	• Hammer	• Drill & Drill bits
• Utility Knife	• Level	• Stiff Putty Knife
• Hacksaw or Reciprocating Saw	• Caulking Gun & High-Performance Premium Caulking	• (1) box 2½" - 3" Galvanized Decking Screws
Materials Provided:		
• (1) Lockset Adjustable Strike Plate (Bottom)	• (1) Lockset Adjustable Strike Plate (Top)	• (1) Deadbolt Strike Plate (Top)
• (1) Black Dust Box	• (4) #10 x 2½" Security Screws for Hinge to Jamb	• (4) #8 x 2½" Strike Plate Screws

REMEMBER: ALWAYS USE THE APPROPRIATE PERSONAL PROTECTIVE EQUIPMENT.

1 UNPACKAGE THE NEW UNIT

Step 1 - Unpackage new door and confirm swing, color, style and that your order was shipped complete.

Step 2 - Confirm that the door is the correct size for your opening by using the sizing chart listed below and the ordering information from the bar coded label on the shipping box.



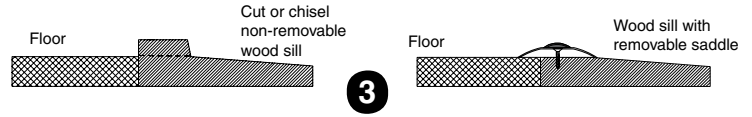
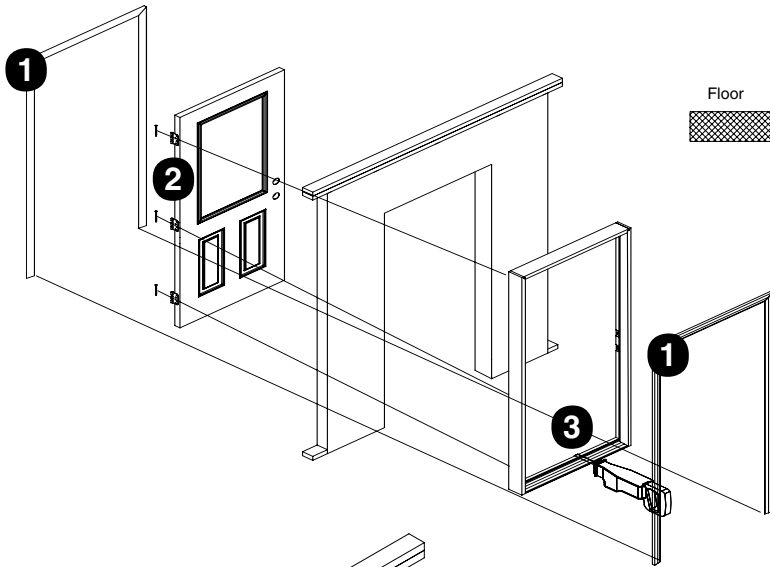
2 Size Chart

Type of Opening	Standard Door Width	Single Door	Standard 80" Height
Rough Opening Width	30"	32"	Rough Opening Height 82"
	32"	34"	
	34"	36"	
	36"	38"	
Unit Width <i>incl. jamb</i>	30"	31-3/8"	Unit Height <i>incl. jamb</i> 81-1/2"
	32"	33-3/8"	
	34"	35-3/8"	
	36"	37-3/8"	
Unit Width <i>incl. jamb</i>	30"	34"	Unit Height <i>incl. jamb</i> 82-7/8"
	32"	36"	
	34"	38"	
	36"	40"	
	42"	46"	

Add 4" to height dimensions for 84" doors

2 PREPARE THE ROUGH OPENING

Note: If you are replacing an existing wood frame follow each step, if this is a new opening go to Step 5.

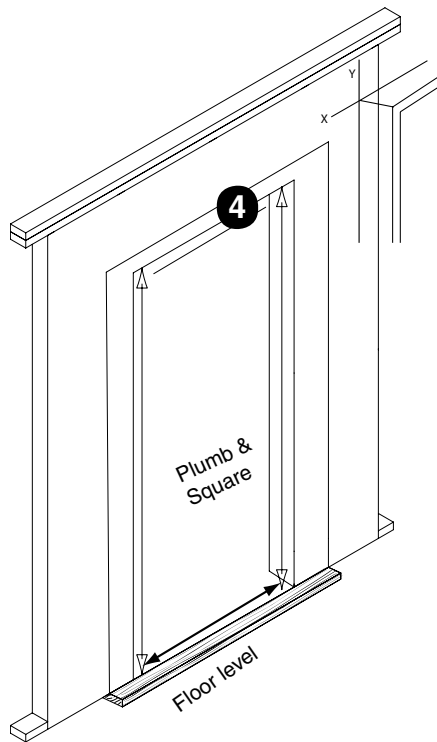


Step 1 - Remove interior casing and exterior brickmold.

Step 2 - Remove hinge pins and door slab.

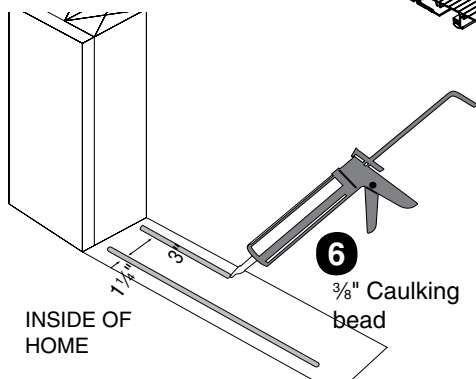
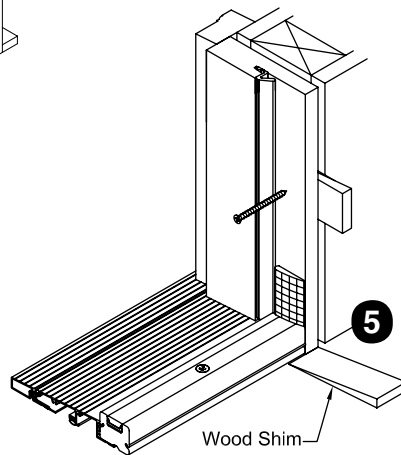
Step 3 - Remove or cut screws and nails fastening the old frame. Take out existing door frame including the threshold.

Note: if sill is non-removable (one piece wood type), cut or chisel until it is flush with floor (see above illustrations).



Step 4 - Rough opening should now be jack stud to jack stud and floor or modified still plate to underside of header. **Note:** The sill area may need to be built up so that the new door slab will clear the carpet, hardwood, etc. Make sure floor is level and that the rough opening is plumb and square.

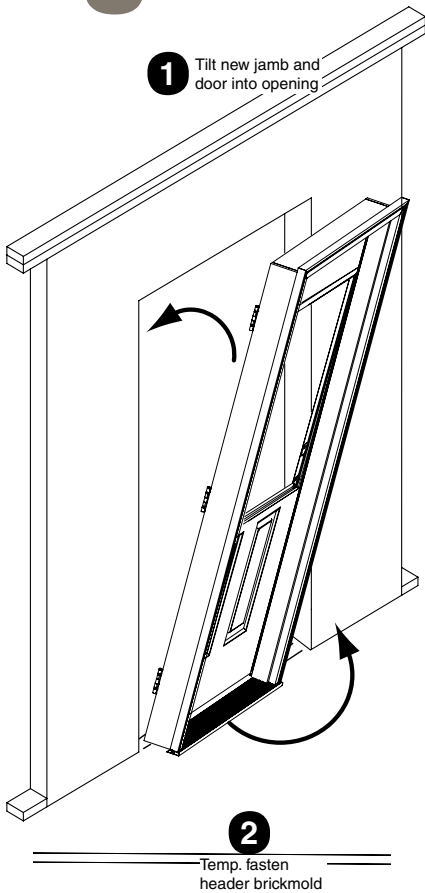
Step 5 - If sill is not level, place shims in position so that new wood jamb sits directly on top of shim (see illustration)



Step 6 - Caulk floor with heavy beads of caulking where new threshold extrusions will contact floor.

Place first caulking bead from inside home inwards at 1/4" distance and the second caulking bead 3" from first bead (see illustration).

3 INSTALLING THE NEW UNIT



Step 1 - Tilt header jamb away from the rough opening and set the bottom jamb threshold into the opening first (from the outside). Set on top of the heavy beads of caulking, then tilt header jamb into rough opening (see illustration).

Step 2 - Temporarily fasten header brickmold to outside sheathing to hold unit in place while shimming.

Step 3 - Shimming locations: 1. Between wood jamb and jack stud
2. Behind each hinge 3. Strike side - 3 places

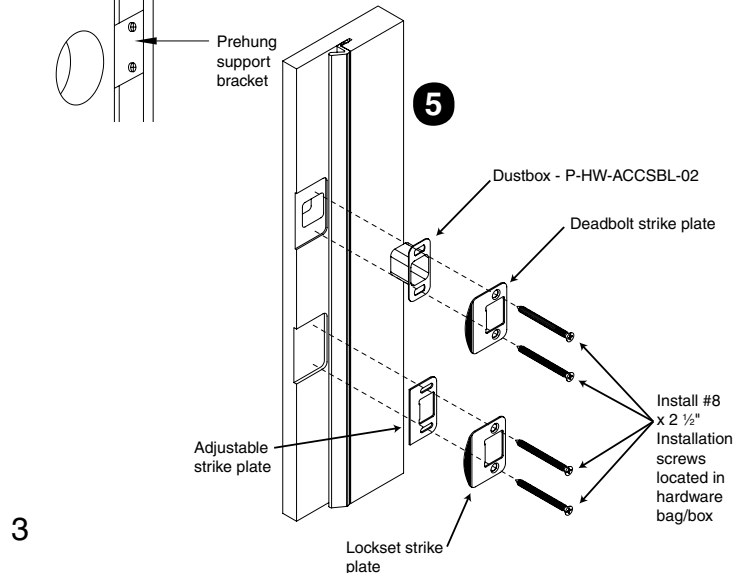
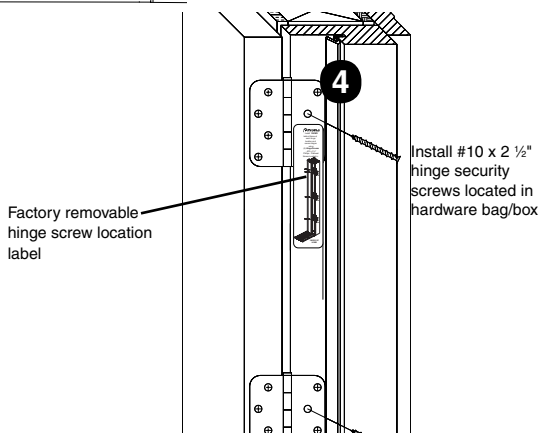
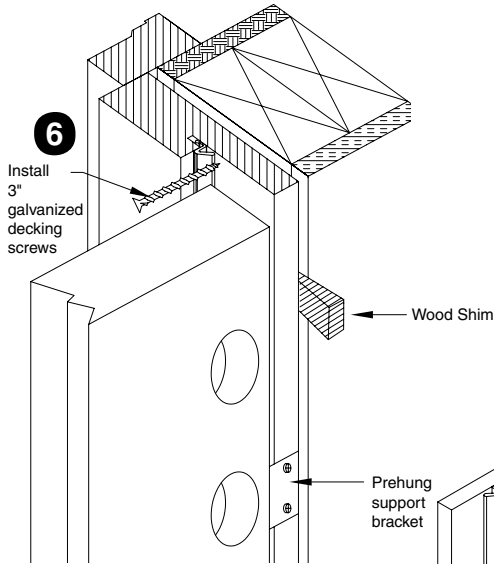
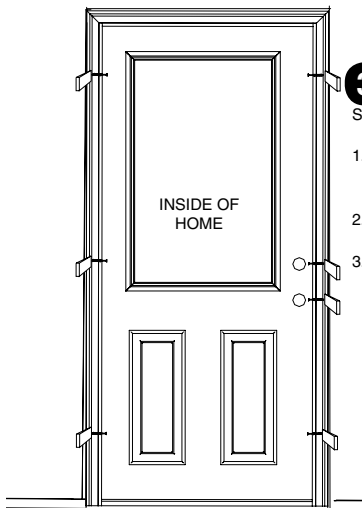
Place shims in position so that the hinge security screws and the 3" galvanized decking screws on the strike side will run through the shims (see illustrations).

Snug shims in place so that the margins from the slab to frame are approximately 1/8" (see illustration).

Step 4 - On the hinge side, run the large head #10 x 2 1/2" hinge security screws through the hinges (see removable factory label placed on hinge side and illustration).

Step 5 - Install strike plates using smaller head #8 x 2 1/2" installation screws from the supplied hardware bag/box.

Step 6 - On the strike side, run the 3" galvanized decking screws behind the weatherstripping (see illustration)



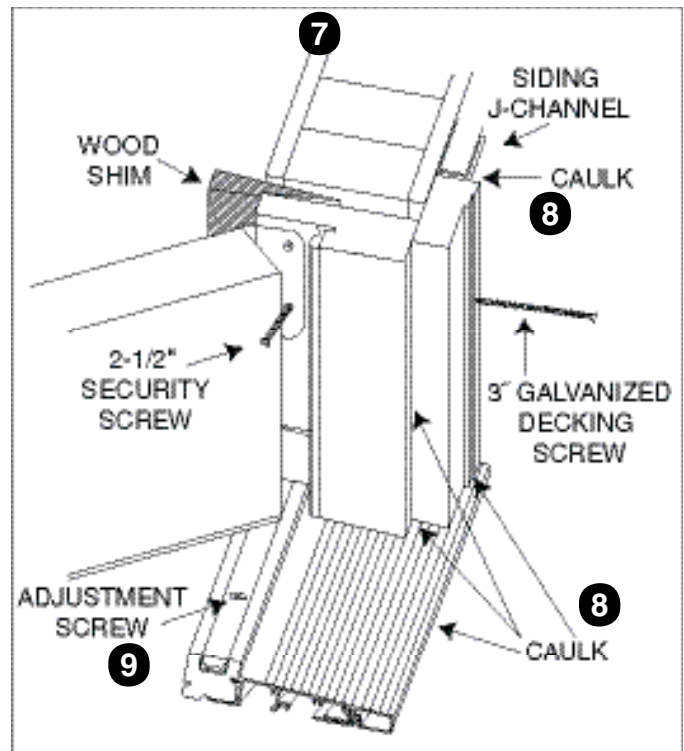
3 INSTALLING THE NEW UNIT

Note: See the Troubleshooting Section before going to Step 7.

Step 7 - Once all shims are in place and the inside of jamb is fastened, run 3" galvanized decking screws through brickmold on the outside (see illustration).

Step 8 - Caulk around brickmold and where the sill meets the floor (see illustration).

Step 9 - Adjust threshold cap if necessary (see illustration).



TROUBLESHOOTING

Problem - Strike margin is too small (slab hits frame on strike side):

- Loosen hinge side shims a little and pull hinge frame toward stud by tightening the hinge security screws.
- Loosen strike side shims and pull strike frame toward stud by tightening the screws behind weatherstripping.

Problem - Strike margin is too large:

- Increase shim depth behind jamb on hinge side. (See Section 3)
- Increase shim depth behind jamb on strike side. (See Section 3)

Problem - Header margin is too large on strike side:

- Shim directly under wood jamb on hinge side to raise door slab in the frame. (See Section 2)

Problem - Header margin is too small on strike side:

- Shim directly under wood jamb on strike side to raise frame away from door slab. (See Section 2)

Problem - Wall is not plumb:

- Shim behind wood brickmold to put wood frame in a plumb position (see illustration).

