



INSTALLATION INSTRUCTIONS FOR SINGLE REPLACEMENT DOOR

Tools & Materials You Will Need:

| | |
|--|--------------------------------|
| • Measuring Tape | • Carpenter's Square |
| • Pencil | • Hammer |
| • Cedar Shims | • Level |
| • Drill & Drill bits | • Stiff Putty Knife |
| • Utility Knife | • Hacksaw or Reciprocating Saw |
| • Caulking Gun & High-Performance Premium Caulking | • Chisel |

Materials Provided:

| | |
|--|---|
| • (2) Closed-Cell Corner Weather-stripping Pads | • (4) #8 x 2 1/2" Security Screws |
| • (2) Adjustable Dust Boxes | • (1) Adjustable Strike Plate (Bottom) |
| • (1) Deadbolt Strike Plate (Top) | • (1) Lockset Strike Plate (Top) |
| • (10) #10 x 2 1/2" Steel Frame Installation Screws | • (11) #8 x 2 1/4" Galvanized Deck Screws |
| • (1) Pack of 16 #8 x 2" Aluminum Stop Installation Screws | |

REMEMBER: ALWAYS USE THE APPROPRIATE PERSONAL PROTECTIVE EQUIPMENT.



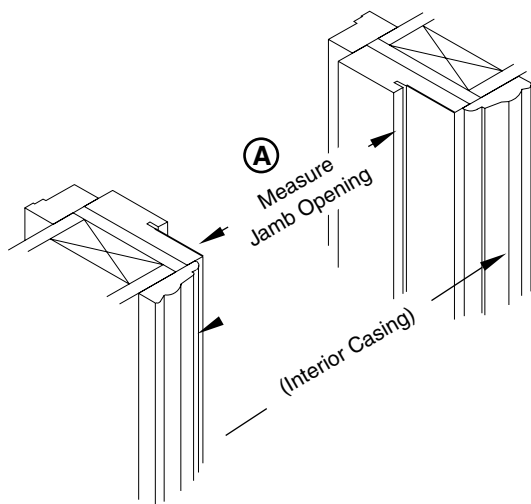
Homes built before 1978 may contain lead paint. All replacement installations must comply with the U.S. EPA's Lead-Based Paint Renovation, Repair, and Painting Program (RRP Rule). Read more about the RRP Rule and lead-safe work practices, on the U.S. EPA's website at: www.epa.gov/lead

1 UNPACKAGE THE NEW UNIT

Before removing existing door panel and threshold, unpackage your new door and confirm the size, swing, color, style and that your order was shipped complete. Also check for any damage that may have occurred during shipping. Use the Size Charts in Step 2 to confirm that the door is the correct size for your opening.

2 MEASURE THE NEW UNIT

A. Measure Existing Door Frame WIDTH



NOTE: Do not measure door panel. Measure inside frame-to-frame width. Measure in three places and use the narrowest measurement. Then find your opening width in the chart below.

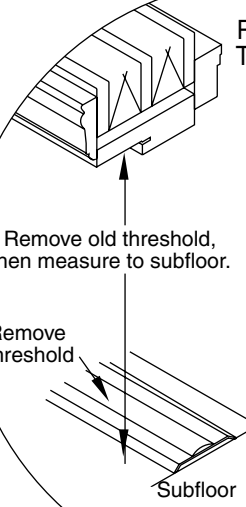
| OPENING WIDTH | ORDER |
|-------------------|-------|
| 29 7/8" – 30 1/2" | 30" |
| 31 7/8" – 32 1/2" | 32" |
| 33 7/8" – 34 1/2" | 34" |
| 35 7/8" – 36 1/2" | 36" |
| 59 1/8" – 59 7/8" | 60" |
| 63 1/8" – 63 7/8" | 64" |
| 67 1/8" – 67 7/8" | 68" |
| 71 1/8" – 71 7/8" | 72" |

2 MEASURE THE NEW UNIT

B. Measure Existing Door Frame HEIGHT

| OPENING HEIGHT | ORDER |
|---|-------|
| 77 ⁷ / ₈ " – 78 ¹ / ₂ " | 78" |
| 78 ⁷ / ₈ " – 79 ¹ / ₂ " | 79" |
| 79 ⁷ / ₈ " – 80 ¹ / ₂ " | 80" |
| 80 ⁷ / ₈ " – 81 ¹ / ₂ " | 81" |
| 81 ⁷ / ₈ " – 82 ¹ / ₂ " | 82" |
| 82 ⁷ / ₈ " – 83 ¹ / ₂ " | 83" |
| 83 ⁷ / ₈ " – 84 ¹ / ₂ " | 84" |

REMOVABLE THRESHOLD



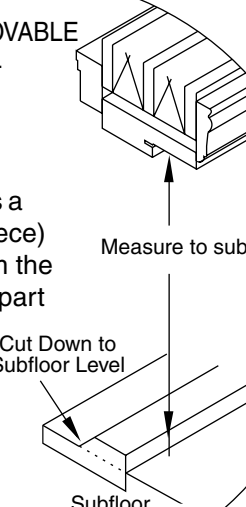
Remove old threshold, then measure to subfloor.

Remove Threshold

Subfloor

A. If your existing door has a removable aluminum or wood threshold, measure from the inside of the rabbeted part of the jamb to the finish floor. Then locate your opening height in the chart.

NON-REMOVABLE SILL



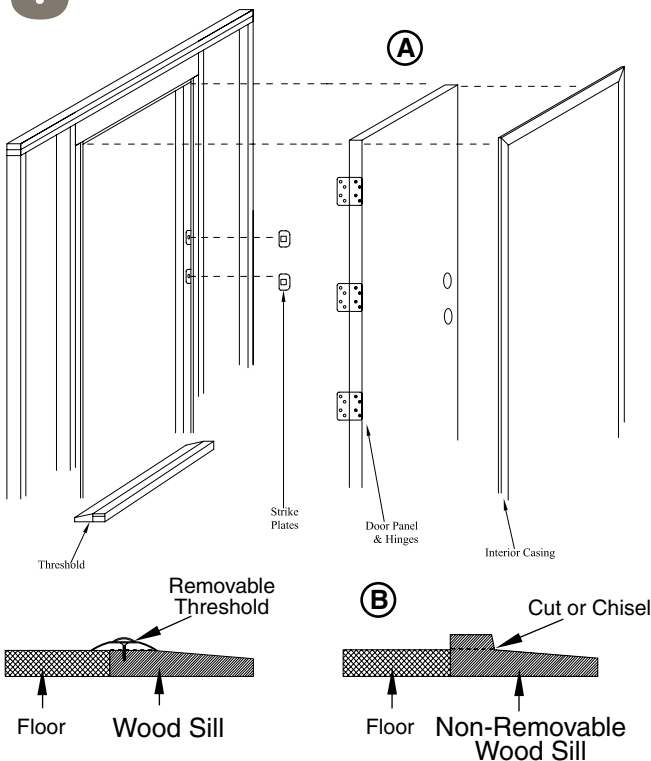
Measure to subfloor.

Cut Down to Subfloor Level

Subfloor

B. If your old door has a non-removable (one piece) wood sill, measure from the inside of the rabbeted part of the jamb to the top of the sill as shown. Then locate your opening height in the chart.

3 PREPARE THE EXISTING OPENING

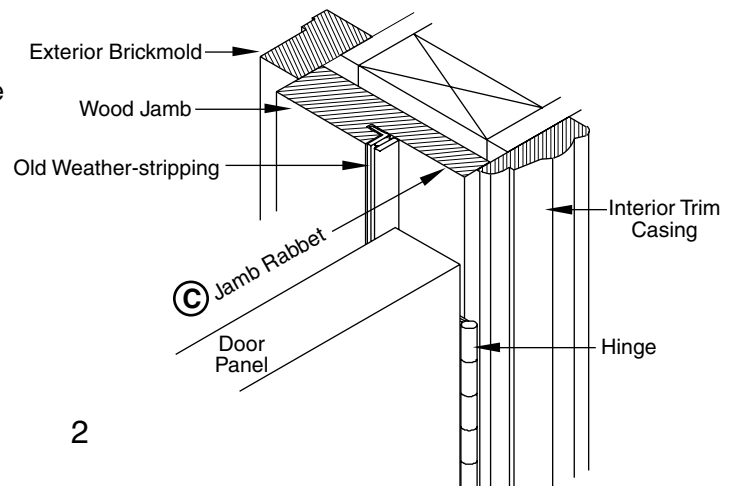


- A.** Remove existing door panel, hinges and strike plates. Leave old weather-stripping in.
- If removing an inswing door, remove the interior casing.
- B.** Prepare existing threshold:
- If removable threshold, cut threshold in the center and pry away from wood jamb.
 - If non-removable wood sill, plane or chisel until level with floor.



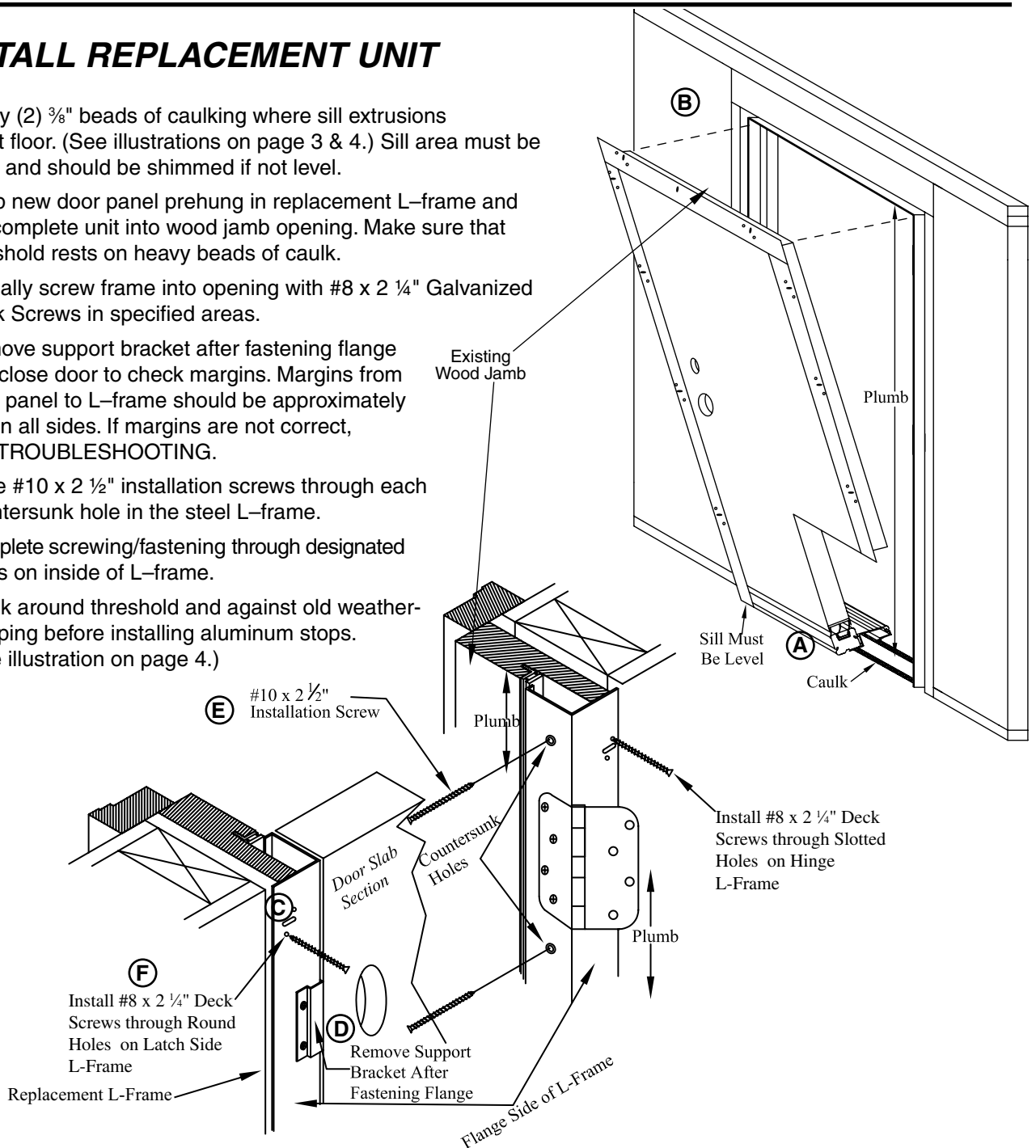
NOTE: Original wood jamb should remain in the opening.

- C.** Make sure the jamb rabbet that will receive the hinge side of replacement L-frame is plumb.



4 INSTALL REPLACEMENT UNIT

- A. Apply (2) $\frac{3}{8}$ " beads of caulking where sill extrusions meet floor. (See illustrations on page 3 & 4.) Sill area must be level and should be shimmed if not level.
- B. Keep new door panel prehung in replacement L-frame and set complete unit into wood jamb opening. Make sure that threshold rests on heavy beads of caulk.
- C. Partially screw frame into opening with #8 x $\frac{1}{4}$ " Galvanized Deck Screws in specified areas.
- D. Remove support bracket after fastening flange and close door to check margins. Margins from door panel to L-frame should be approximately $\frac{1}{8}$ " on all sides. If margins are not correct, see TROUBLESHOOTING.
- E. Drive #10 x $2\frac{1}{2}$ " installation screws through each countersunk hole in the steel L-frame.
- F. Complete screwing/fastening through designated holes on inside of L-frame.
- G. Caulk around threshold and against old weatherstripping before installing aluminum stops. (See illustration on page 4.)



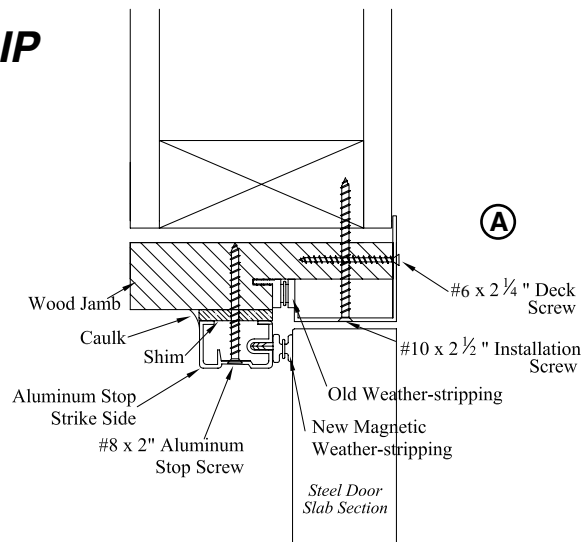
5 INSTALL ALUM. STOP & WEATHER STRIP

Weather-stripping is pre-inserted into aluminum stop.



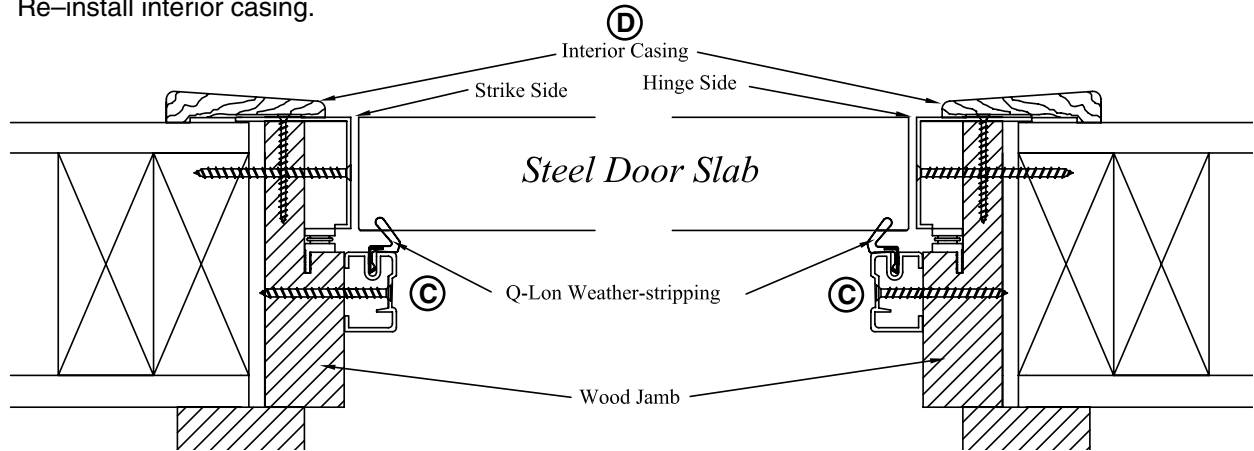
NOTE: Make sure door is shut when installing stops. Weather-stripping should make firm contact with door panel.

- A. Measure and Cut Aluminum Stops on Wood Jambs Accordingly:
 - * For Steel and Fiberglass Doors (See illustrations on page 3-4):
 - Measure and Cut Aluminum Header Stop with Q-Lon Weather-Stripping to fit Top of Wood Jamb
 - Measure and Cut Aluminum Side Stop with Q-Lon Weather-Stripping to fit Strike and Hinge Side Wood Jamb

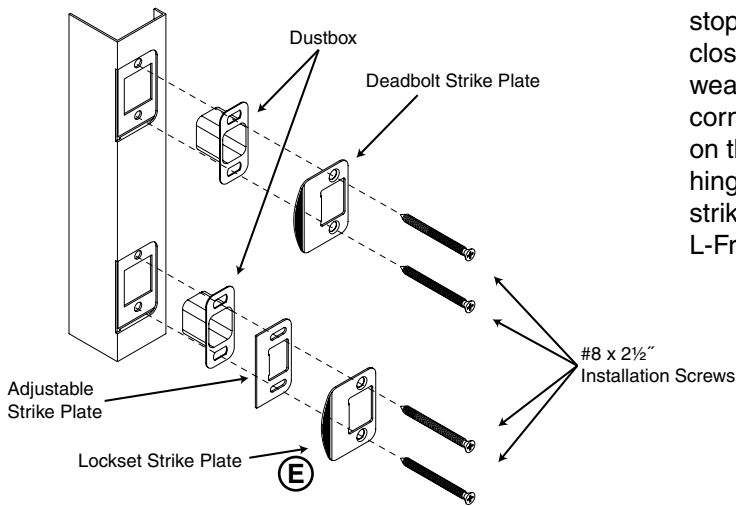


(INSTALL ALUMINUM STOP & WEATHER STRIP - con't)

- B. When necessary, shim behind aluminum stop to allow weather strip to make contact with door panel.
- C. Run #8 x 2" Aluminum-Stop Installation screws through countersunk holes in aluminum stops.
- D. Re-install interior casing.

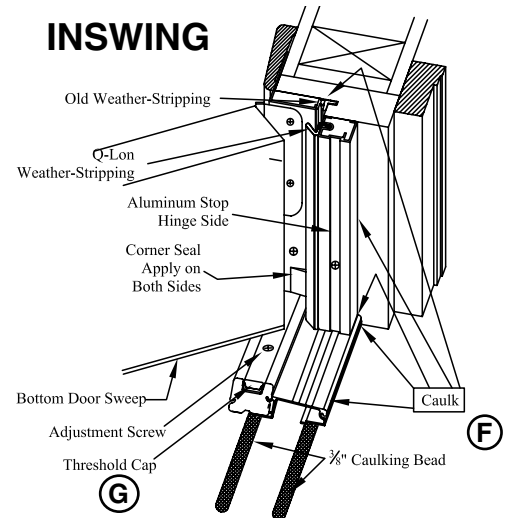


E. Install Strike Plate



F. Caulk around stops, and install closed-cell weather-stripping corner seals on the bottom hinge side and strike side of the L-Frame.

INSWING



G. Using adjustment screw, level threshold cap until evenly snug with the bottom door sweep.

! TROUBLESHOOTING

Problem - Strike margin is too small (panel hits frame on strike side):

- pull hinge side installation screws toward wood frame.
- pull strike side installation screws toward wood frame.



NOTE: If new replacement threshold does not cover all of original sill area, a threshold extension is recommended. See diagram for available applications.

Problem - Header margin is too small on strike side:

- loosen strike deck screws and installation screws and shim underneath steel L-frame on strike side to raise frame away from door panel.

Problem - Header margin is too large on strike side:

- loosen hinge deck screws and installation screws and shim underneath steel L-frame on hinge side to raise door panel in frame.

