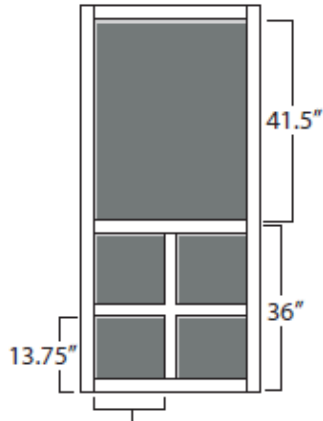


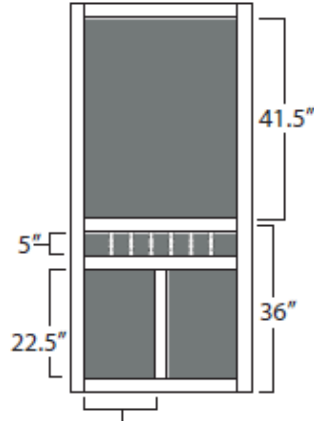
Lafayette



30" - 11.25"
32" - 12.25"
36" - 14.25"

Stile: 2.5"
Rails: 2.5"
Bottom Rail: 3.5"

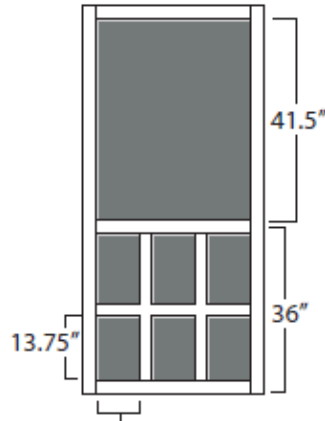
Litchfield



30" - 11.25"
32" - 12.25"
36" - 14.25"

Stile: 2.5"
Rails: 2.5"
Bottom Rail: 3.5"
**Spindles are 4" on center*

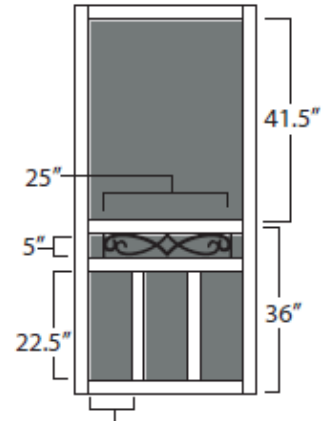
Tradition



30" - 6.6"
32" - 7.3"
36" - 8.6"

Stile: 2.5"
Rails: 2.5"
Bottom Rail: 3.5"

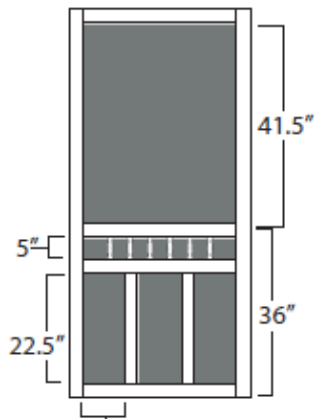
Santee



30" - 6.6"
32" - 7.3"
36" - 8.6"

Stile: 2.5"
Rails: 2.5"
Bottom Rail: 3.5"

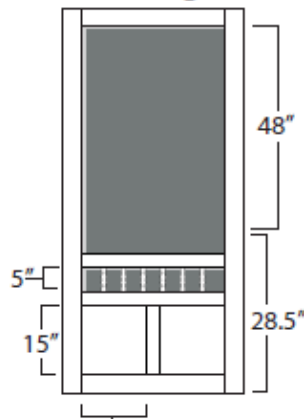
Waccamaw



30" - 6.6"
32" - 7.3"
36" - 8.6"

Stile: 2.5"
Rails: 2.5"
Bottom Rail: 3.5"
**Spindles are 4" on center*

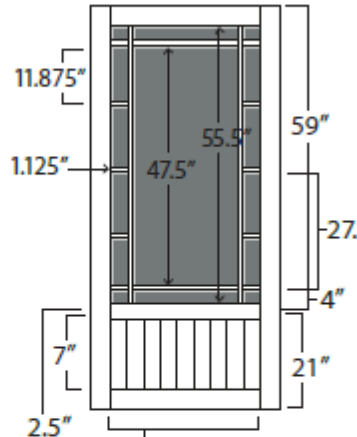
Heritage



30" - 10.25"
32" - 11.25"
36" - 13.25"

Stile: 3.5"
Rails: 2.5"
Bottom Rail: 3.5"

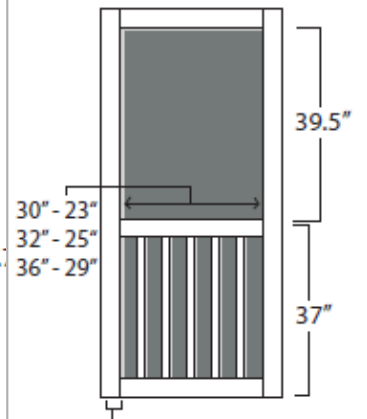
Scottsdale Camden



30" - 23"
32" - 25"
36" - 29"

Stile: 3.5"
Middle Rail: 2.5"
Top & Bottom
Rails: 3.5"
**Mutton - 1.125"*

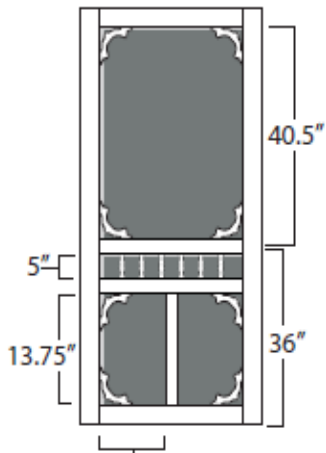
Five Bar



30" - 2.5"
32" - 3"
36" - 3.5"

Stile: 3.5"
Rails: 3.5"
Bars: 1.5"

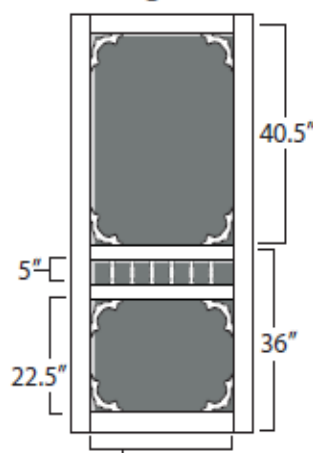
Carolina



30" - 10.25"
 32" - 11.25"
 36" - 13.25"

Stile: 3.5"
 Middle Rails: 2.5"
 Top & Bottom
 Rails: 3.5"

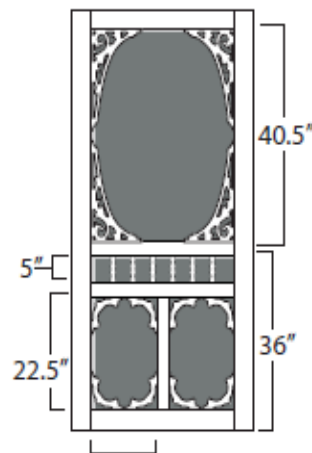
Georgetown



30" - 23"
 32" - 25"
 36" - 29"

Stile: 3.5"
 Middle Rails: 2.5"
 Top & Bottom
 Rails: 3.5"

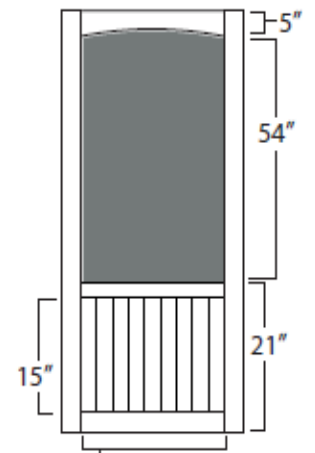
Charlestowne



30" - 10.25"
 32" - 11.25"
 36" - 13.25"

Stile: 3.5"
 Middle Rails: 2.5"
 Top & Bottom
 Rails: 3.5"

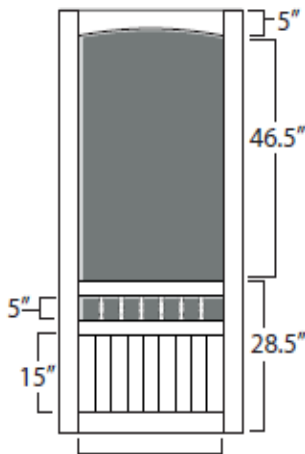
Seabrook



30" - 23"
 32" - 25"
 36" - 29"

Stile: 3.5"
 Rail: 2.5"
 Top & Bottom
 Rails: 3.5"

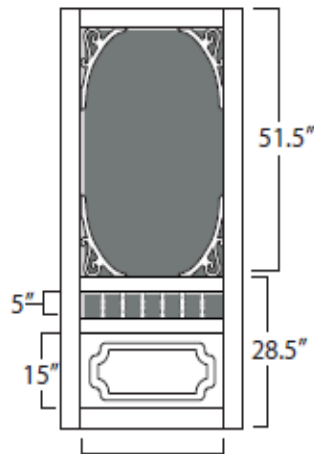
Greenview



30" - 23"
 32" - 25"
 36" - 29"

Stile: 3.5"
 Middle Rails: 2.5"
 Top & Bottom
 Rail: 3.5"

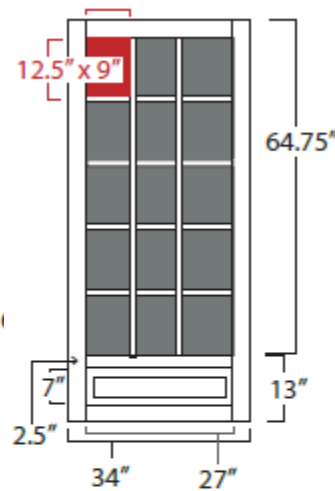
Belle Harbour



30" - 23"
 32" - 25"
 36" - 29"

Stile: 3.5"
 Rails: 2.5"
 Top & Bottom
 Rails: 3.5"
**Spindles are 4" from center*
**Medium Gingerbread*

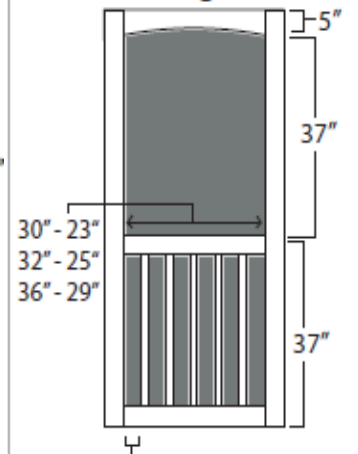
Multi-Lite (French Door)



34" w X 77.75" h

Stile: 3.5"
 Rails: 2.5"
 Top & Bottom
 Rails: 3.5"
**Mutton - 1.125"*

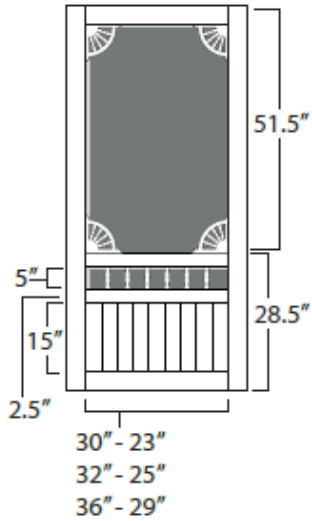
Brookgreen



30" - 23"
 32" - 25"
 36" - 29"

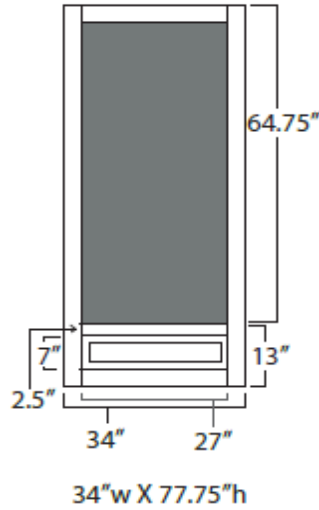
Stile: 3.5"
 Rails: 3.5"
 Bars: 1.5"

Laurel Bay



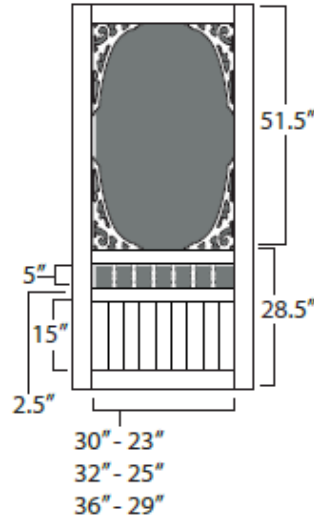
Stile: 3.5"
 Middle Rails: 2.5"
 Top & Bottom
 Rails: 3.5"
 *Spindles 4" o/c from center
 *Wagonwheel Gingerbread

Fullview (French Door)



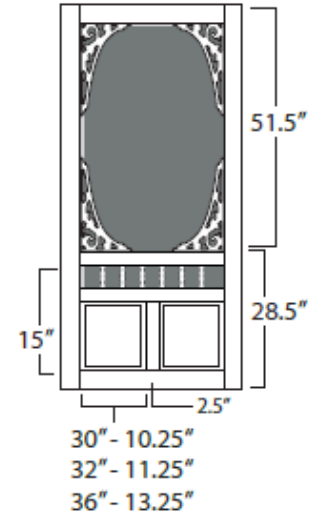
Stile: 3.5"
 Rails: 2.5"
 Top & Bottom
 Rails: 3.5"

Springview



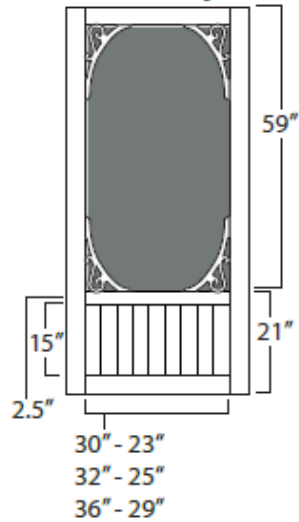
Stile: 3.5"
 Middle Rails: 2.5"
 Top & Bottom
 Rails: 3.5"
 *Spindles 4" o/c from center
 *Large Gingerbread

Georgian



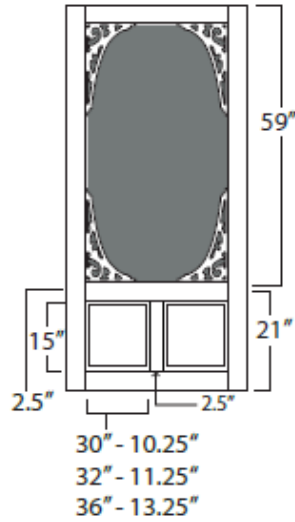
Stile: 3.5"
 Middle Rails: 2.5"
 Top & Bottom
 Rails: 3.5"
 *Spindles 4" o/c from center
 *Large Gingerbread

Waverly



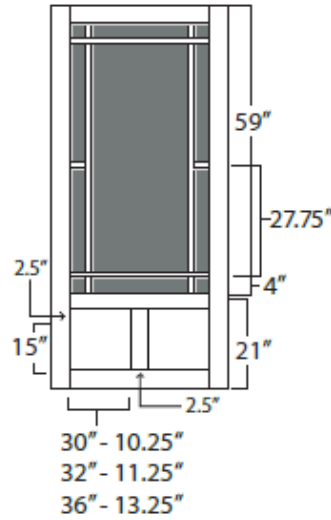
Stile: 3.5"
 Middle Rail: 2.5"
 Top & Bottom
 Rails: 3.5"
 *Medium Gingerbread

Savannah



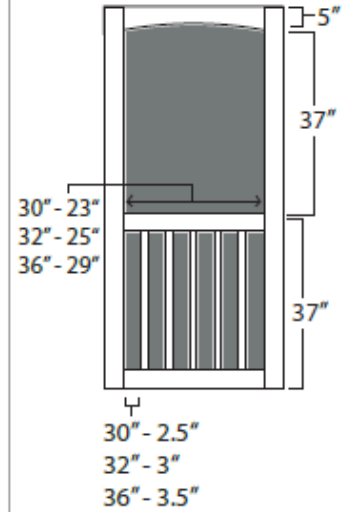
Stile: 3.5"
 Rails: 2.5"
 Top & Bottom
 Rails: 3.5"
 *Large Gingerbread

Prairie View



Stile: 3.5"
 Rails: 2.5"
 Top & Bottom
 Rails: 3.5"
 *1.125-Mutton

Brookgreen



Stile: 3.5"
 Rails: 3.5"
 Bars: 1.5"